

FIG. 1A
(PRIOR ART)

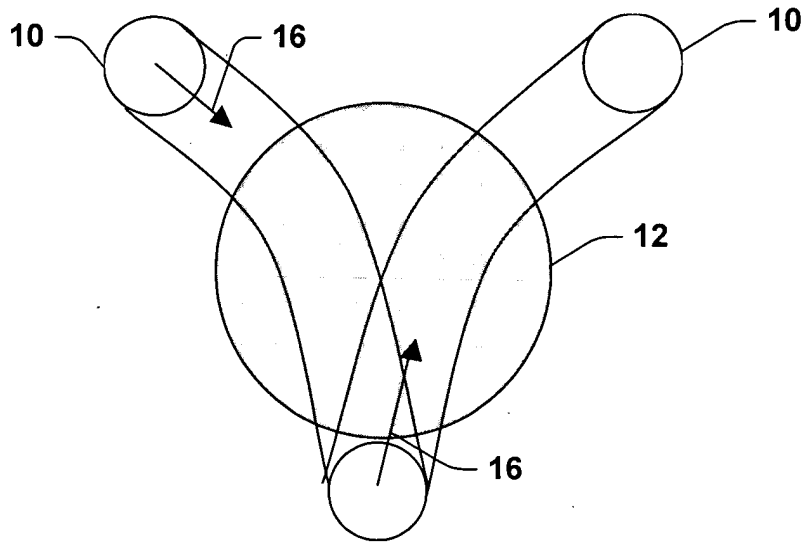


FIG. 1B
(PRIOR ART)

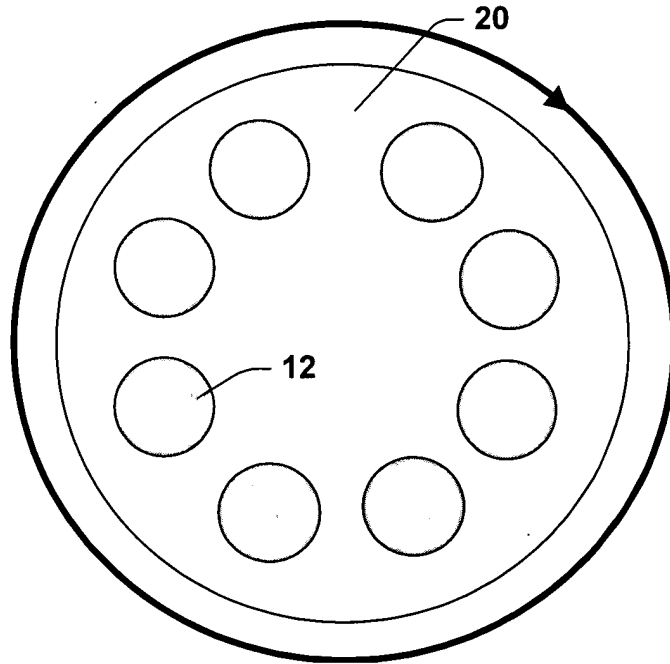


FIG. 2A
(PRIOR ART)

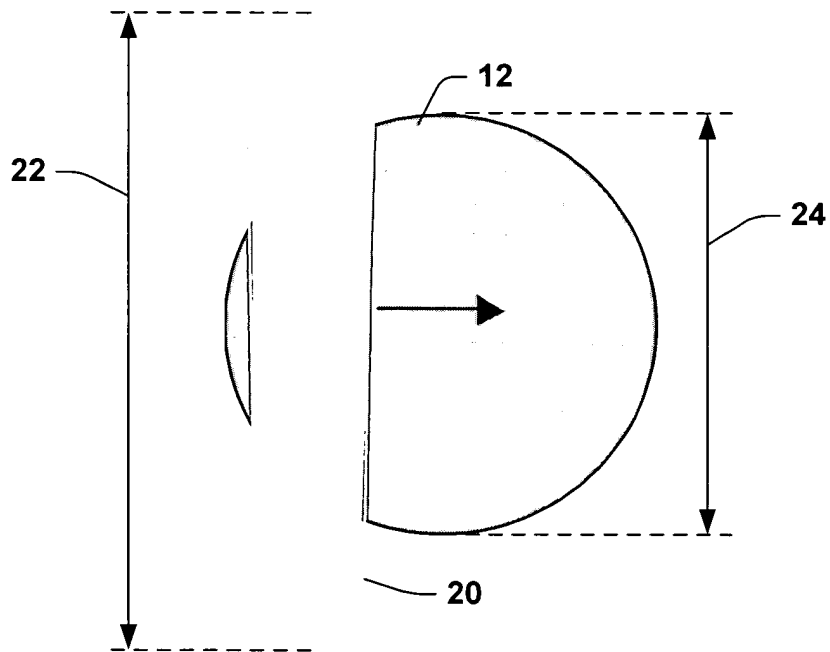


FIG. 2B
(PRIOR ART)

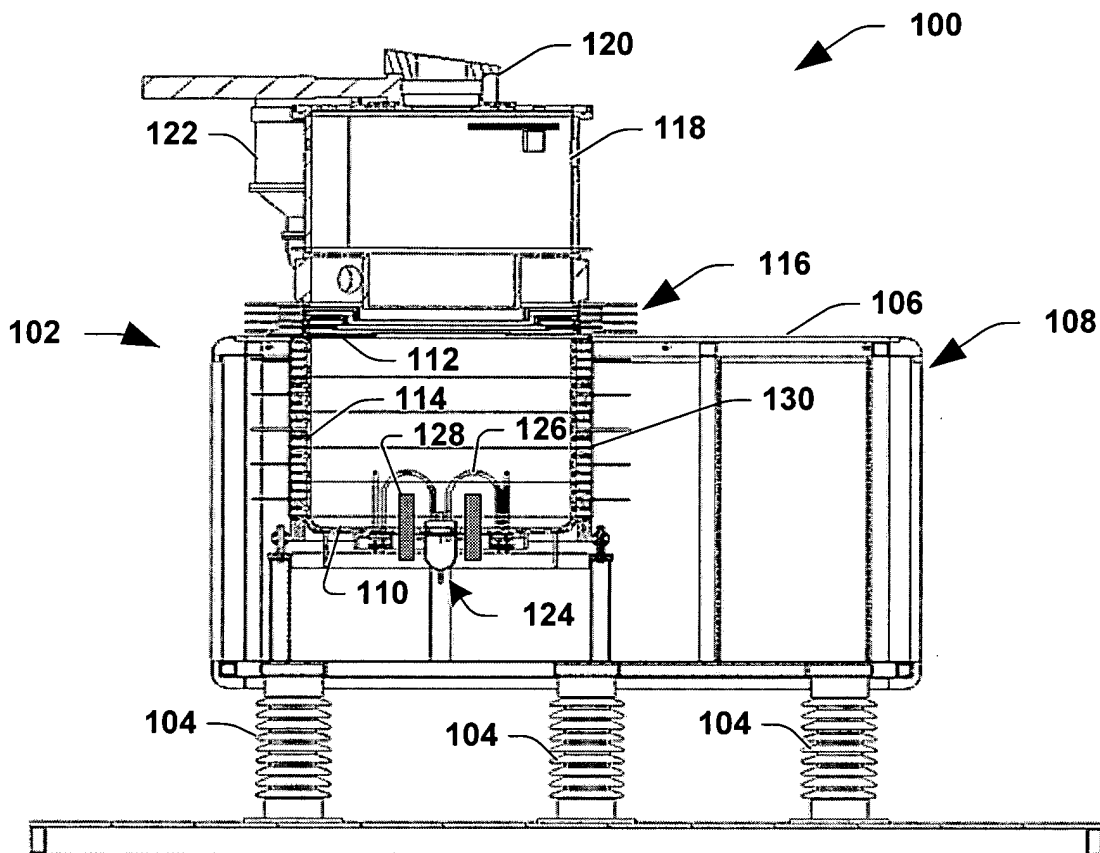


FIG. 3

Ion Shower O2 Plasma (after wall passivation)
7.5kW, .5mTorr
O+/O2+ > 850 (99.9% O+)

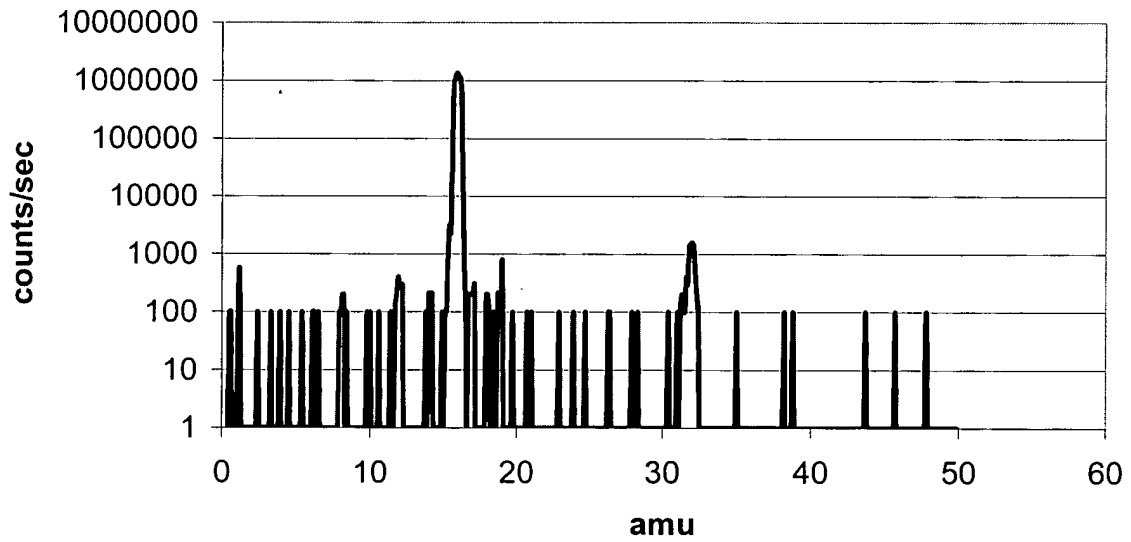


FIG. 4

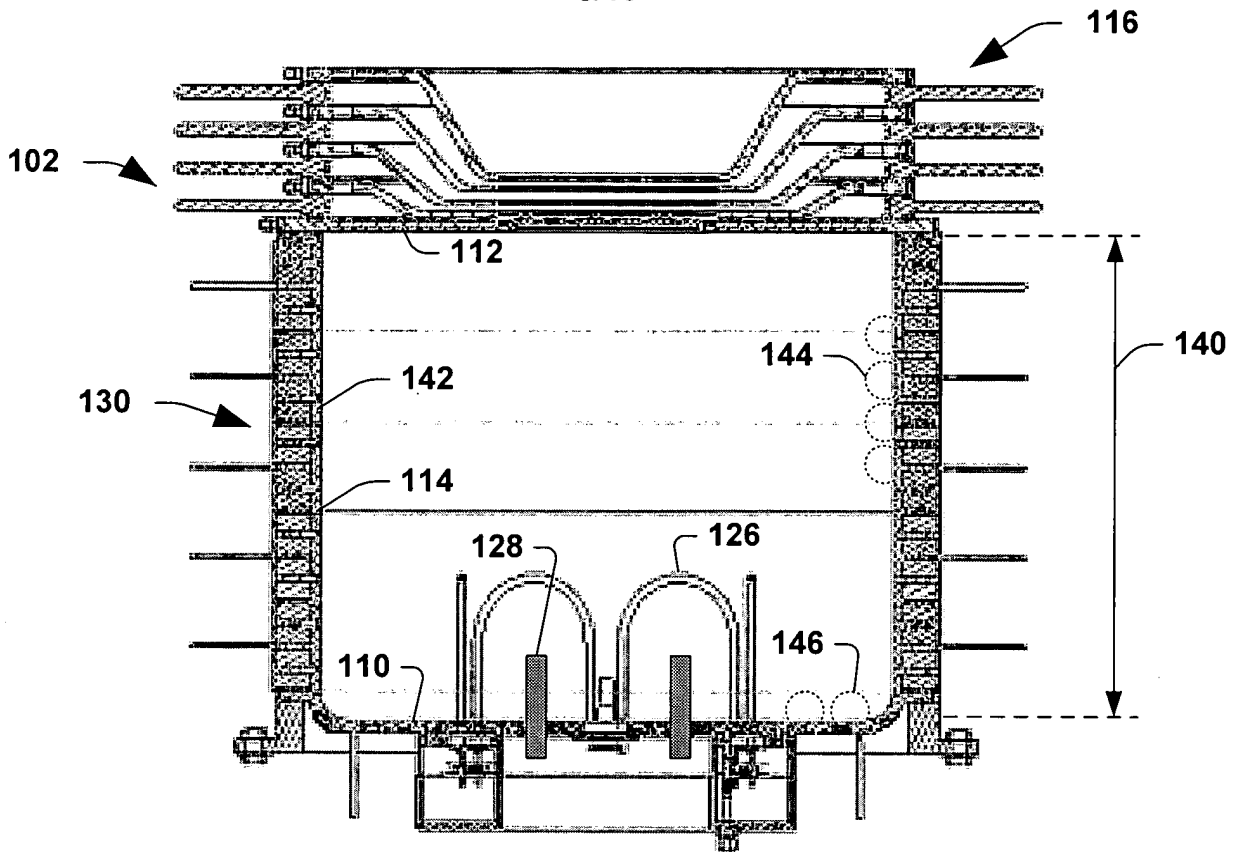


FIG. 5

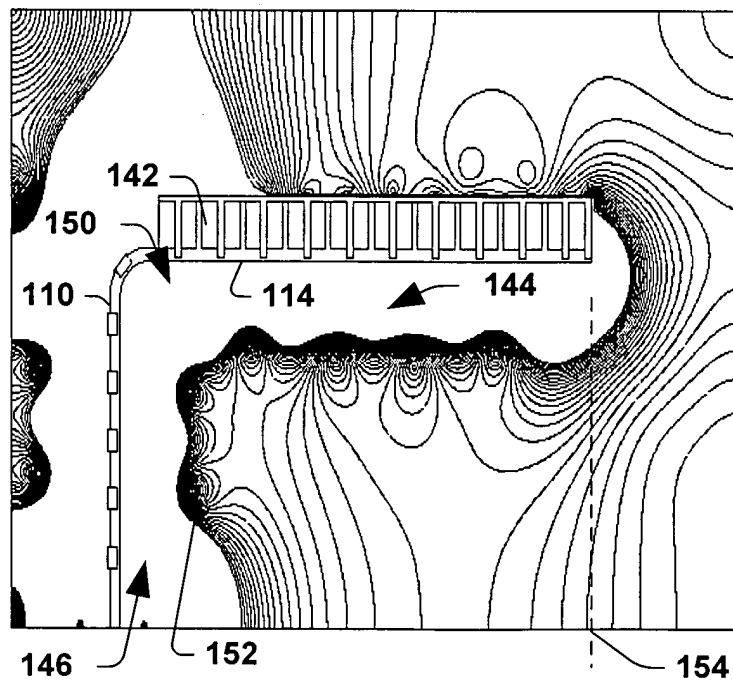


FIG. 6

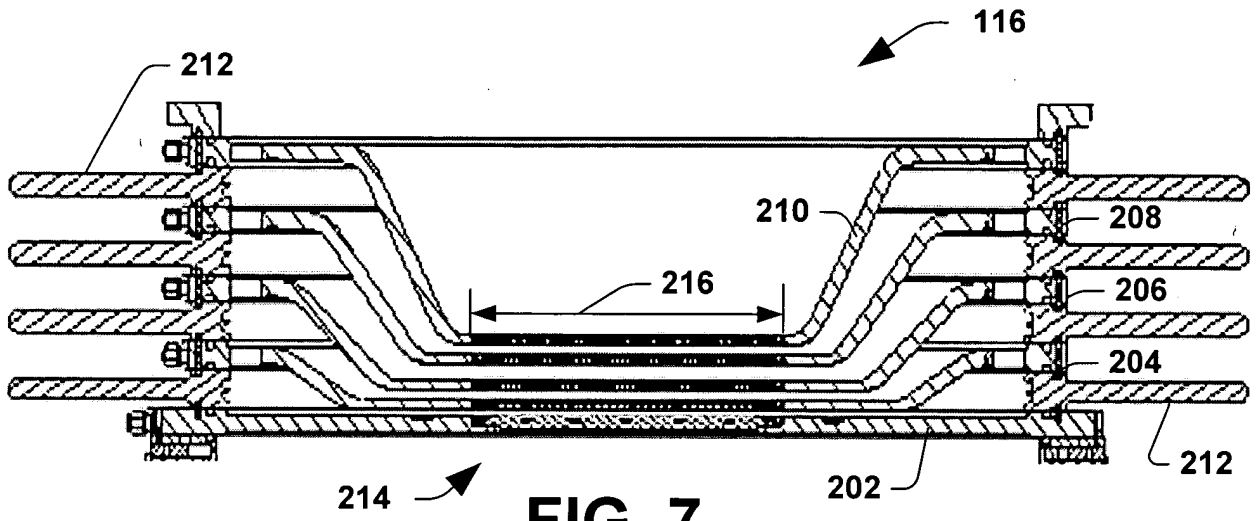


FIG. 7

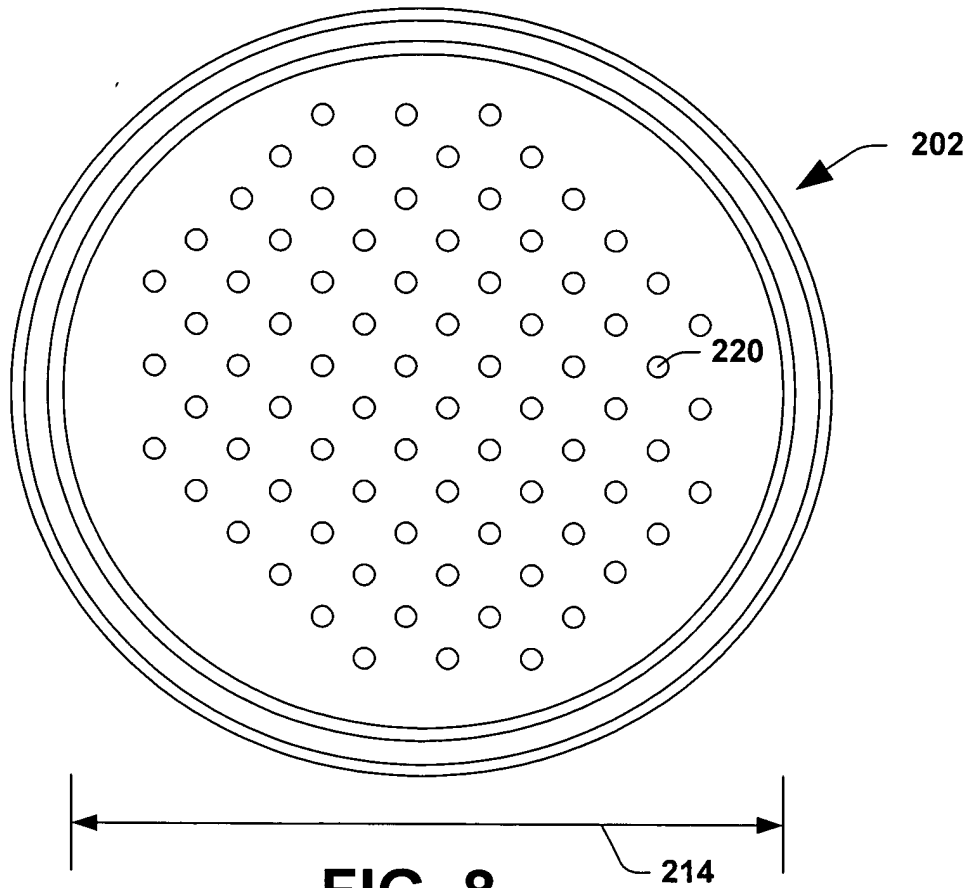


FIG. 8

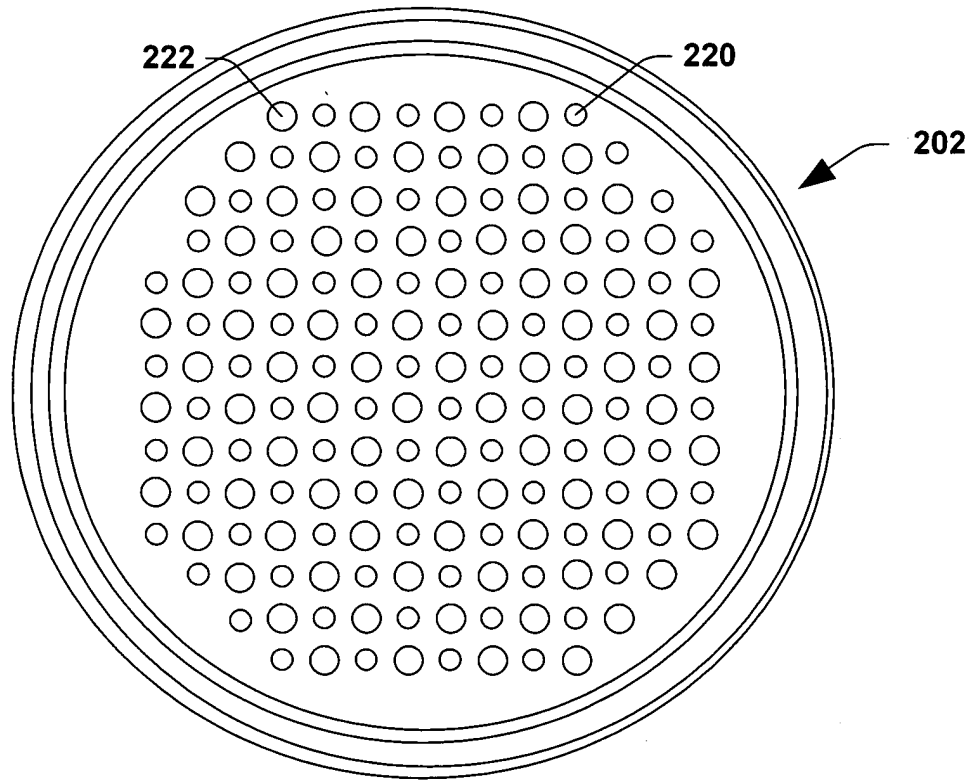


FIG. 9

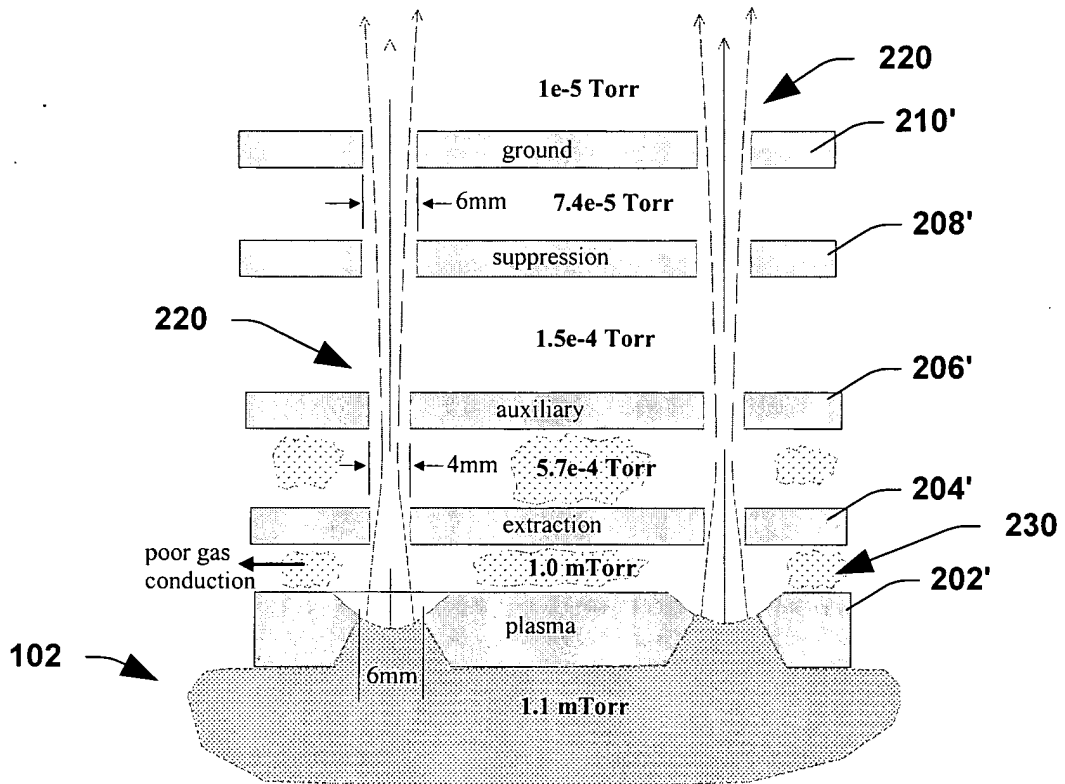


FIG. 10

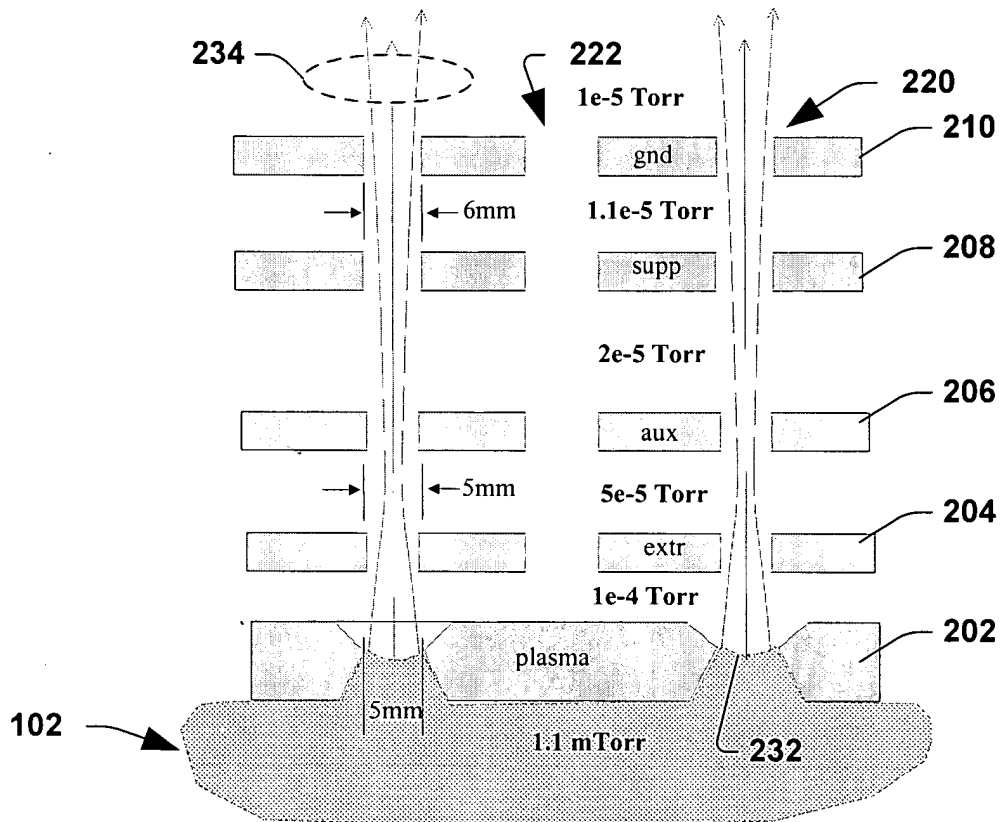


FIG. 11

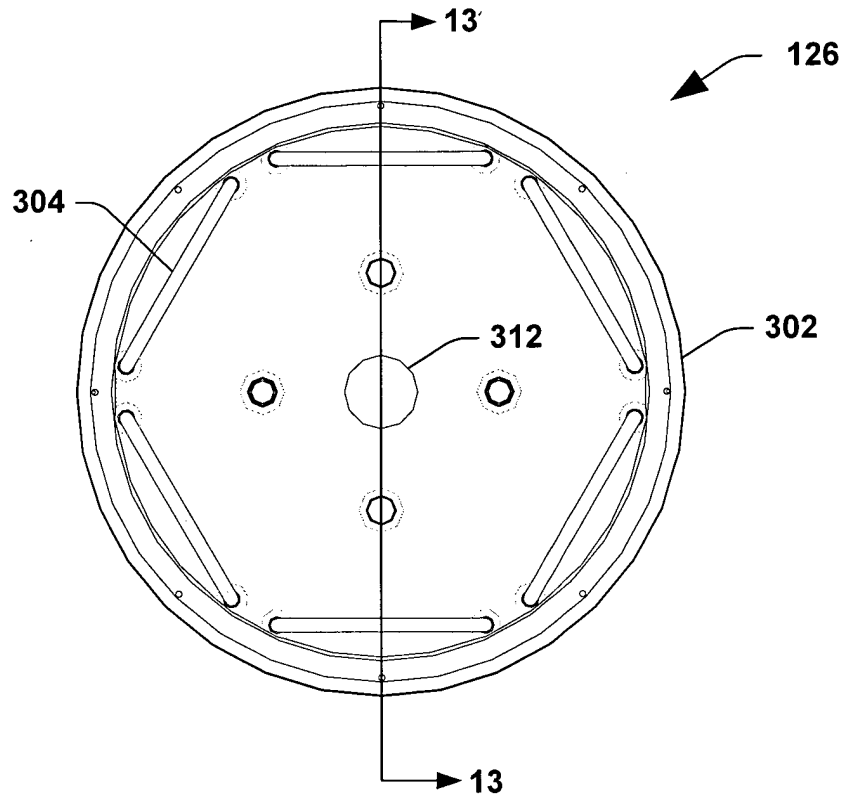


FIG. 12

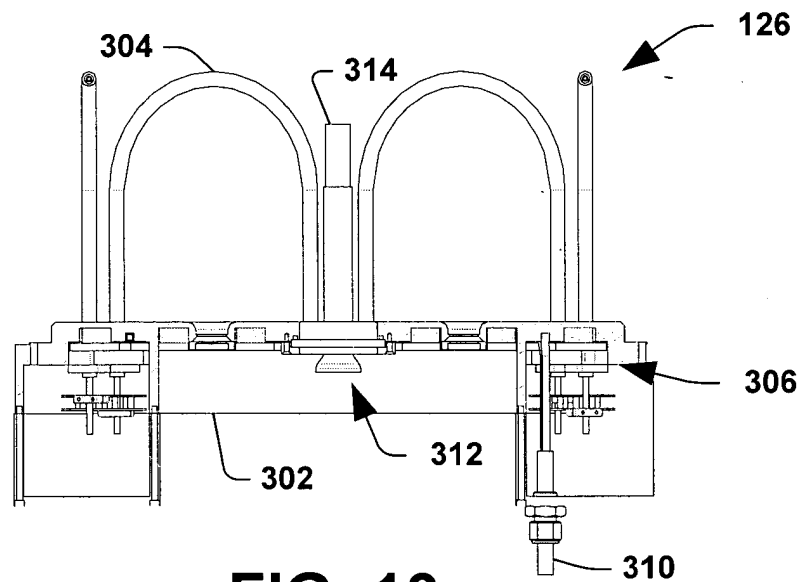


FIG. 13

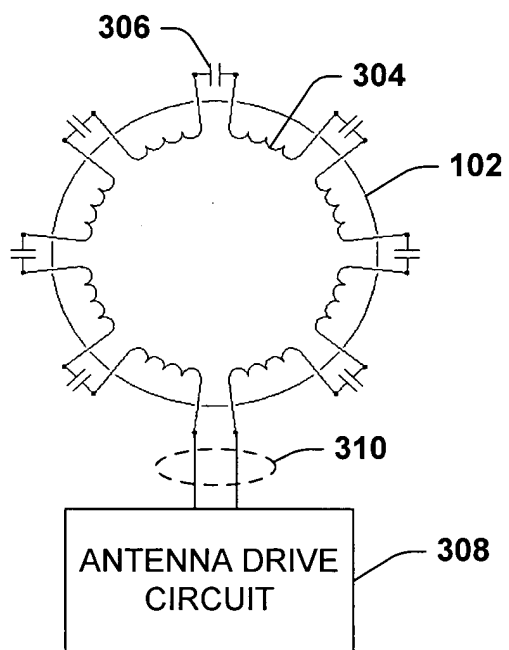


FIG. 14